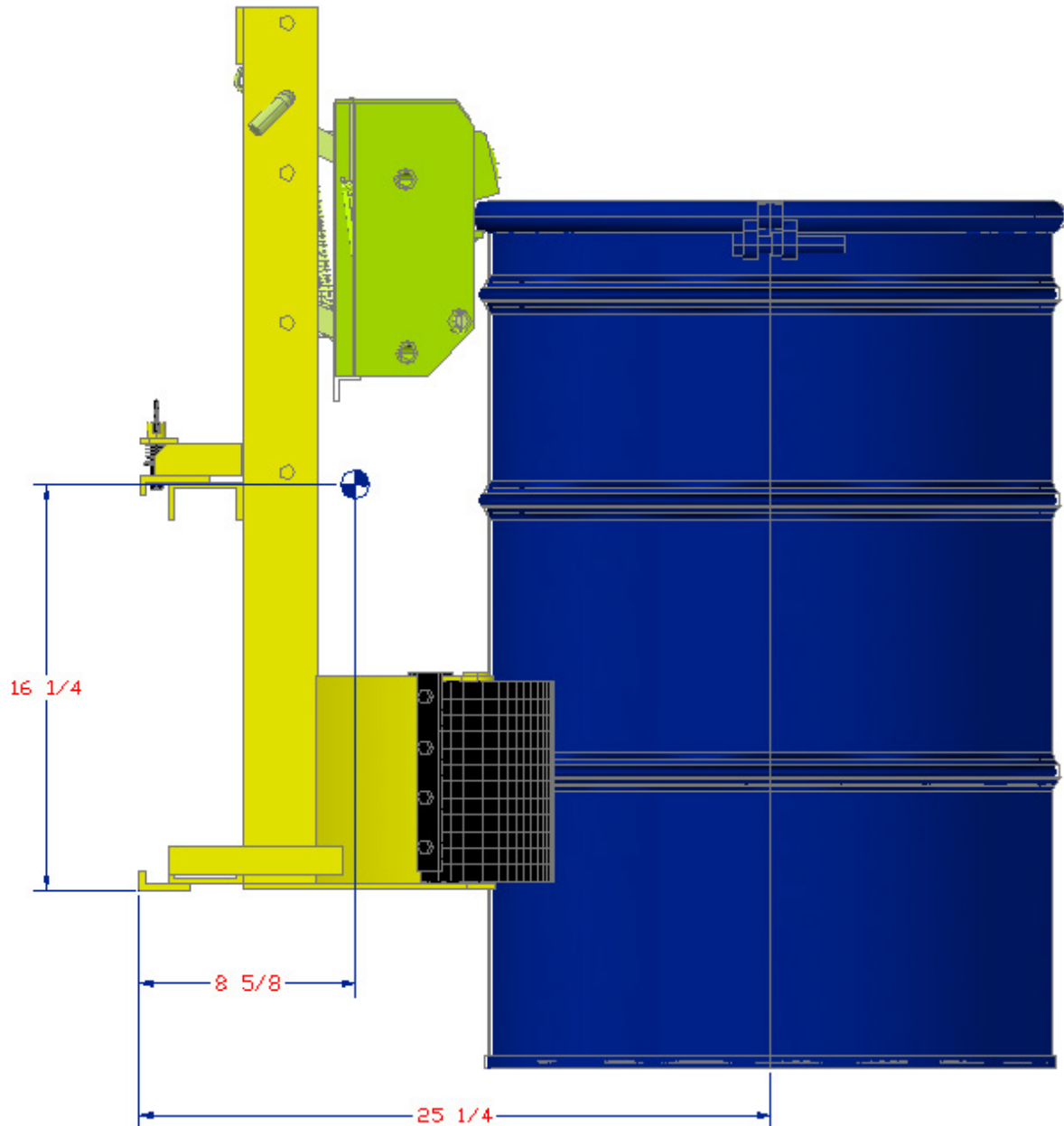


**Liftomatic Material Handling, Inc.**

700 Dartmouth Lane  
Buffalo Grove, IL 60089

Phone 847 325-2930  
Fax 847 325-2959  
Toll Free 800 837-6540



**Center of Gravity for Carriage Mounted DCM**