

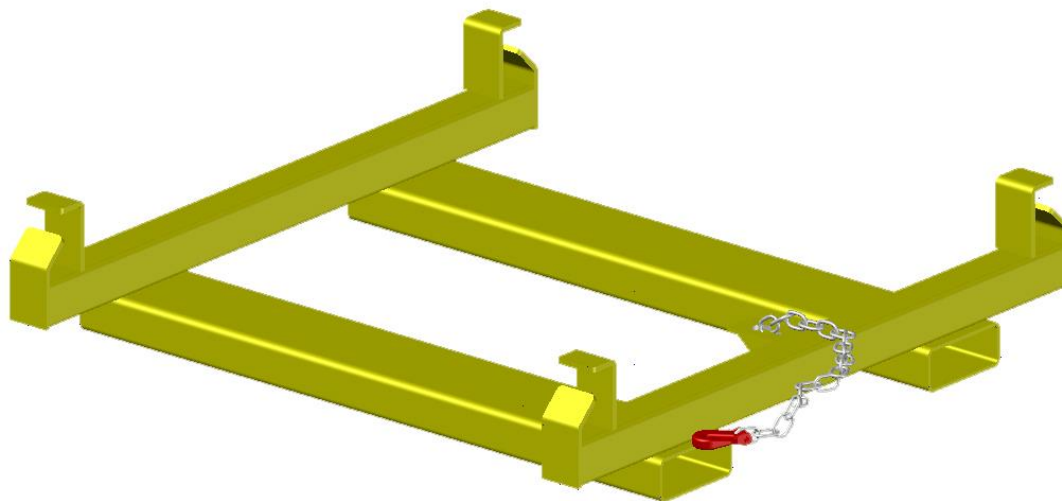
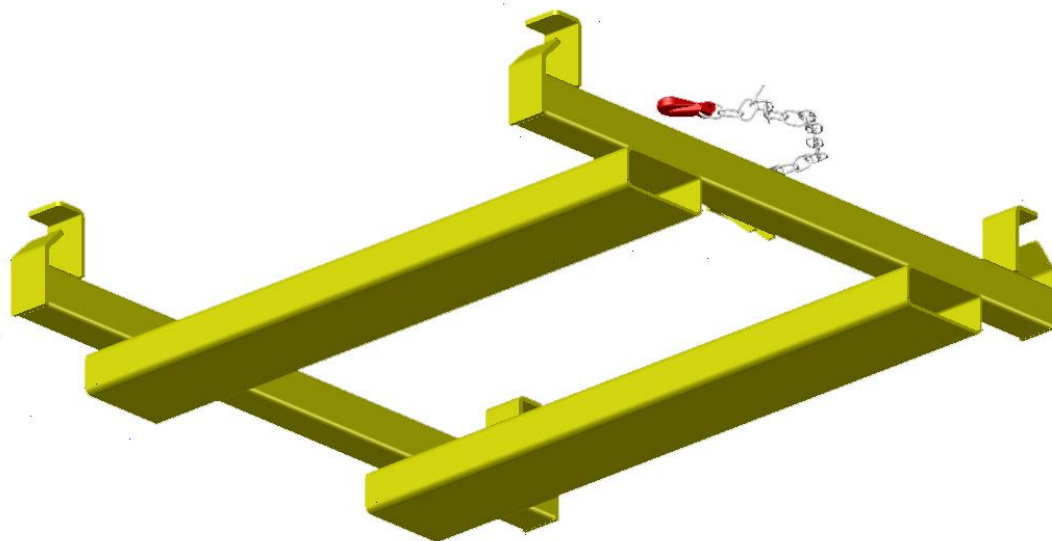


Liftomatic Material Handling, Inc.

700 Dartmouth Lane
Buffalo Grove, IL 60089

Phone 847 325-2930
Fax 847 325-2959
Toll Free 800 837-6540

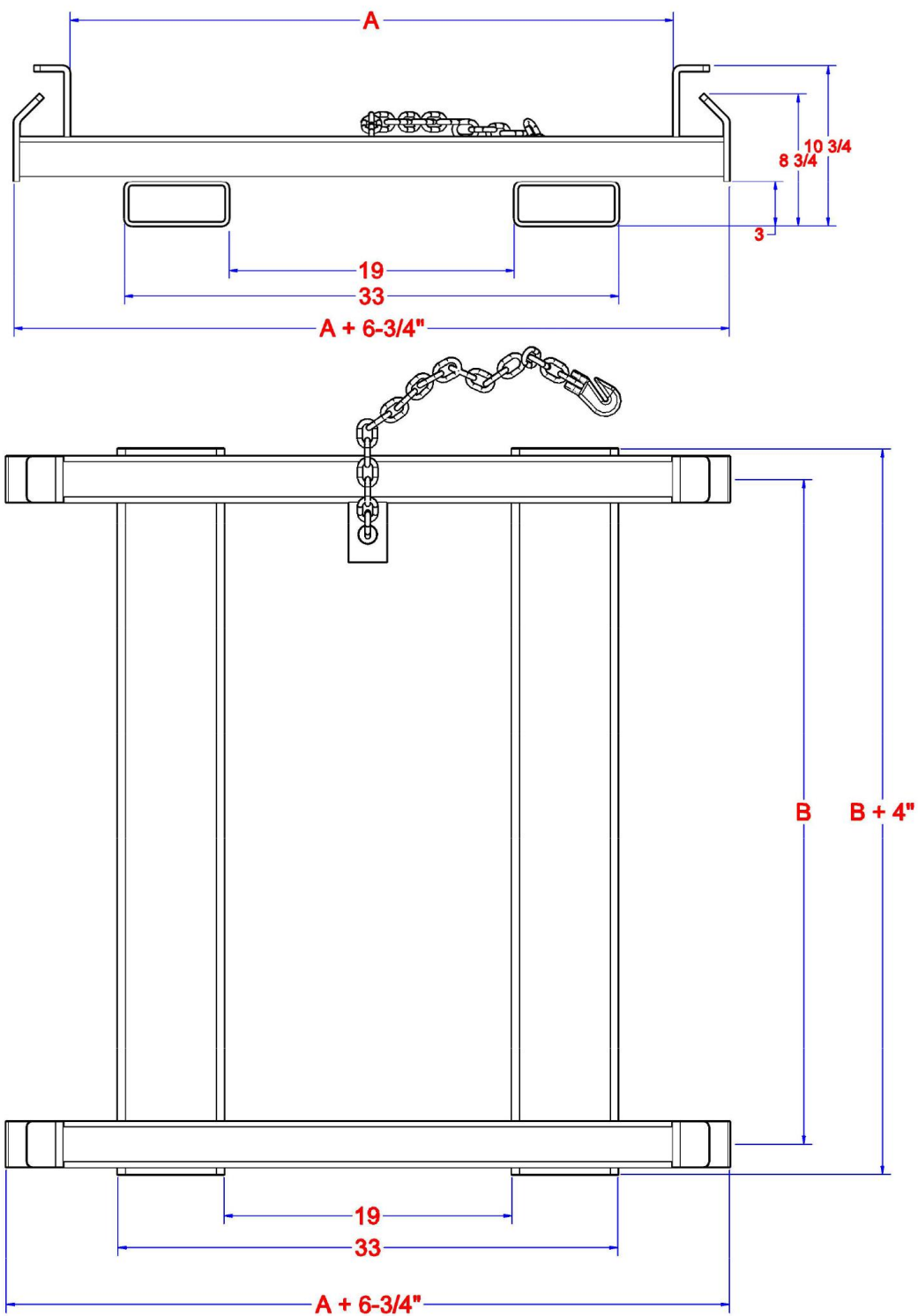
Fork Mounted Bag Lifter
FMBL with Safety Chain



Liftomatic Material Handling, Inc.

700 Dartmouth Lane
Buffalo Grove, IL 60089

Phone 847 325-2930
Fax 847 325-2959
Toll Free 800 837-6540





Liftomatic Material Handling, Inc.

700 Dartmouth Lane
Buffalo Grove, IL 60089

Phone 847 325-2930
Fax 847 325-2959
Toll Free 800 837-6540

Model	Standard Capacity	A	B	Bulk Bag Base
FMBL-35	3000 lbs.	31-1/4	35	35 x 35
FMBL-36	3000 lbs.	32-1/4	36	36 x 36
FMBL-38	3000 lbs.	34-1/4	38	38 x 38
FMBL-41	4500 lbs.	37-1/4	41	41 x 41
FMBL-43	4500 lbs.	39-1/4	43	43 x 43
FMBL-44	4500 lbs.	40-1/4	44	44 x 44