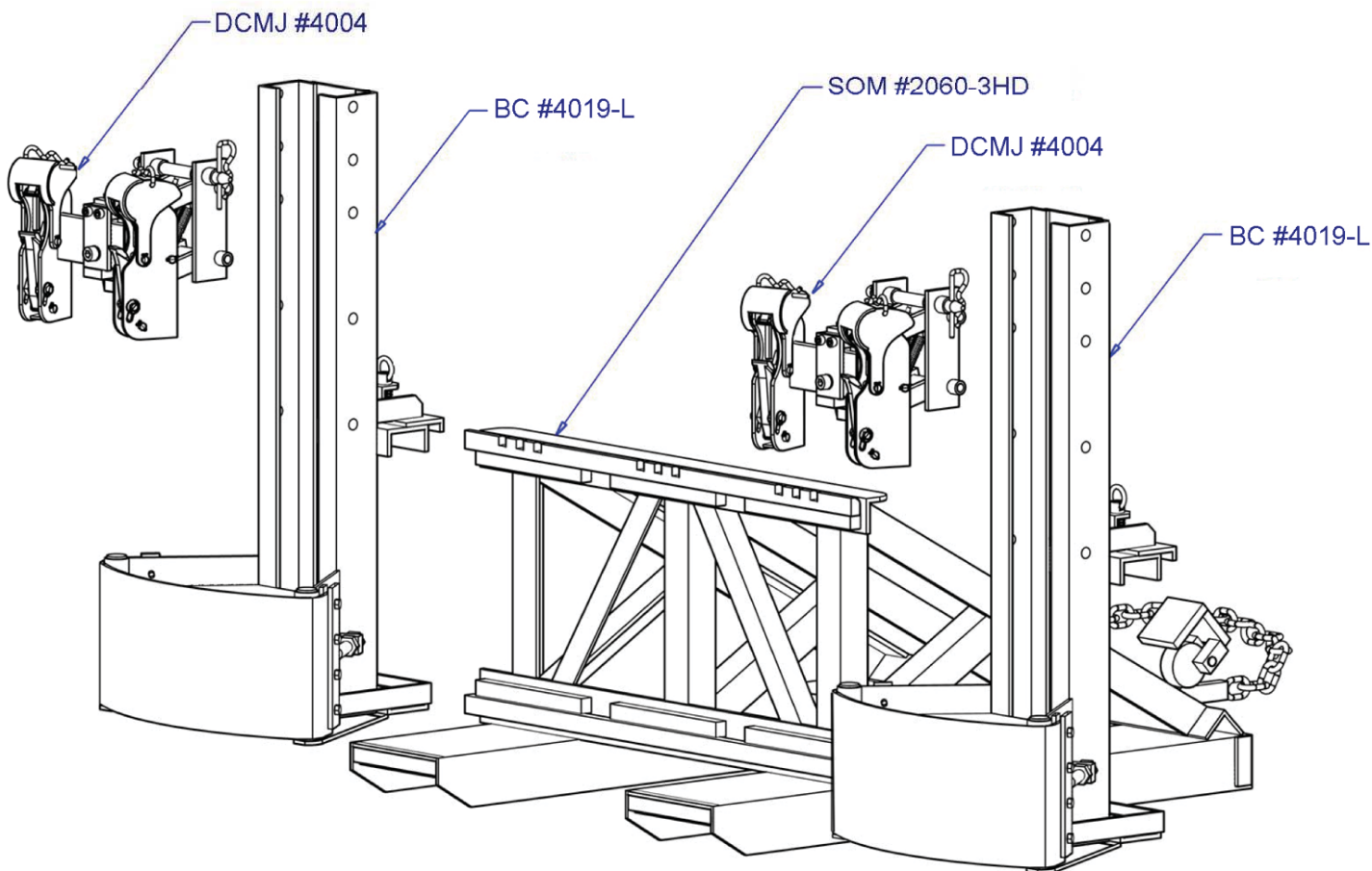




Liftomatic Material Handling, Inc.

700 Dartmouth Lane
Buffalo Grove, IL 60089

Phone 847 325-2930
Fax 847 325-2959
Toll Free 800 837-6540



PART LIST FOR 1-DCMJ-BC-ADJ-SOM

No.	Part Number	Qty	Description
1	4004	1	Junior Double Clamping Mechanism Assembly
2	4019-L	1	Belt Cradle Assembly
3	2060-3HD	1	Slide-On Mounting Frame

PART LIST FOR 2-DCMJ-BC-ADJ-SOM

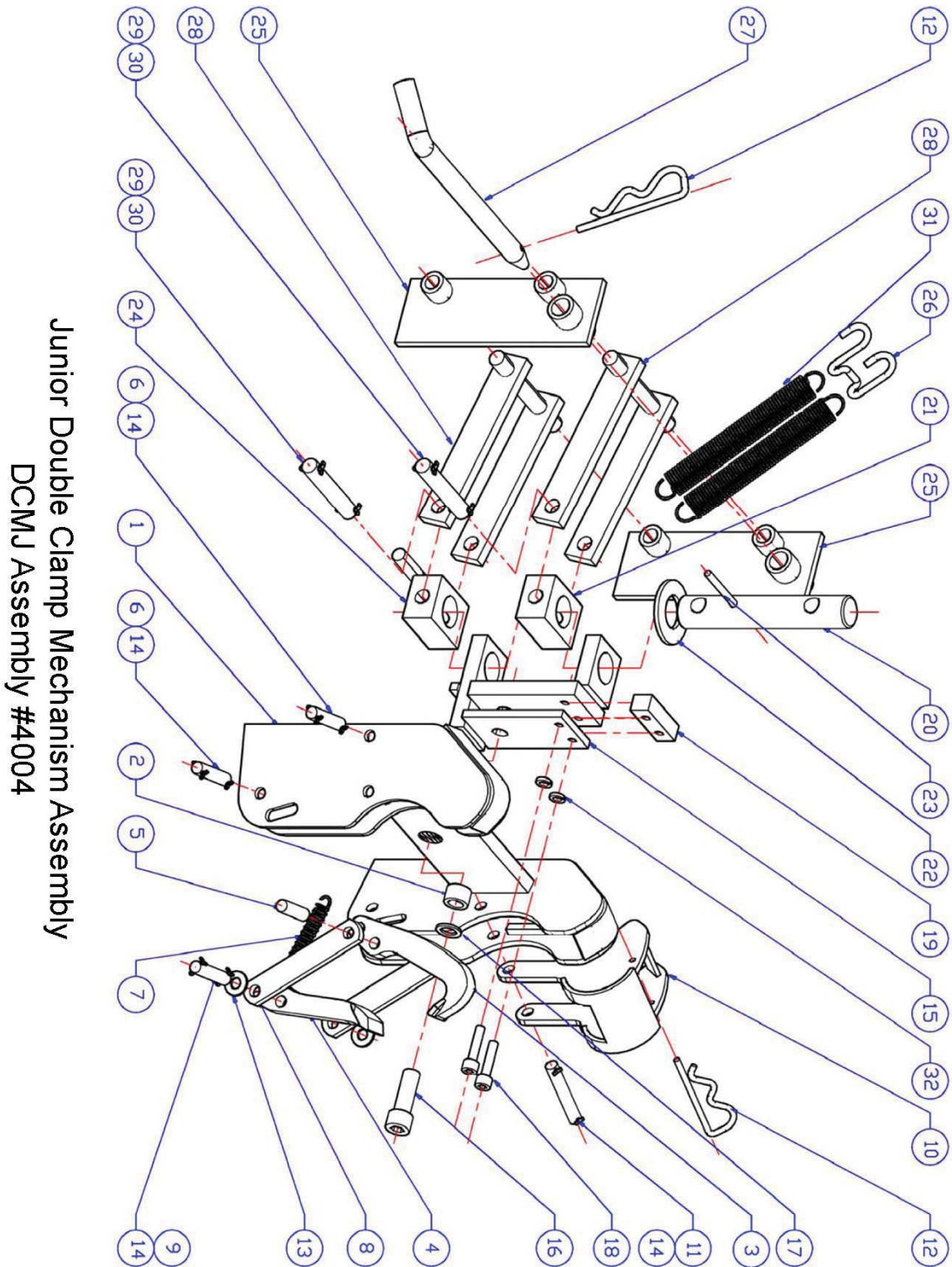
No.	Part Number	Qty	Description
1	4004	2	Junior Double Clamping Mechanism Assembly
2	4019-L	2	Belt Cradle Assembly
3	2060-3HD	1	Slide-On Mounting Frame



Liftomatic Material Handling, Inc.

700 Dartmouth Lane
Buffalo Grove, IL 60089

Phone 847 325-2930
Fax 847 325-2959
Toll Free 800 837-6540



Junior Double Clamp Mechanism Assembly
DCMJ Assembly #4004



Liftomatic Material Handling, Inc.

700 Dartmouth Lane
Buffalo Grove, IL 60089

Phone 847 325-2930
Fax 847 325-2959
Toll Free 800 837-6540

**Part List for Junior Double Clamp Mechanism
DCMJ #4004**

No.	Part Number	Quantity	Description
1	2037	1	Housing, Double Clamp Junior
2	10001	1	Bushing, House Yoke
3	7019	2	Upper Jaw, Junior
4	7017	2	Lower Jaw, Junior
5	14014	2	Pin, Upper Jaw / Link
6	14015-1	4	Pin, Jaws / Housing
7	6021	2	Spring, Jaw / Housing
8	19003-1	4	Link, Jaw / Jaw
9	14016-1	2	Pin, Lower Jaw / Link / Housing
10	2160	2	Fiber Drum Guard
11	14019-1	2	Pin, Guard / Housing
12	6109	3	Hair Pin Clip
13	6074-1	4	Washer
14	6003-CP	16	Cotter Pin
15	2106	1	Universal Body, Junior
16	6118	1	Trunnion Bolt
17	6078	1	Lock Washer
18	6117	2	Socket Cap Screw
19	46005	1	Spacer
20	16046	1	Universal Pin
21	12005	1	Upper Pivot Block
22	6072	1	Plain Washer
23	6054	1	Roll Pin
24	2105	1	Lower Pivot Block
25	2135	2	Adjustment Slide
26	6998-1	1	Spring Hook
27	16019-1	1	Adjustment Pin
28	2136	2	Clevis
29	16004	2	Pin, Clevis
30	6009-CP	4	Cotter Pin
31	6028	2	Spring, Clevis
32	6078	2	Lock Washer

Sub-Assemblies:

Figure #1 to #14

Figure #15 to #32

Junior Clamp Mechanism

Universal Joint Assembly

Part Number 4007

Part Number 4008



Liftomatic Material Handling, Inc.

700 Dartmouth Lane
Buffalo Grove, IL 60089

Phone 847 325-2930
Fax 847 325-2959
Toll Free 800 837-6540

PART LIST FOR BELT CRADLE ASSEMBLY #4019-L

No.	Part Number	Quantity	Description
1	2094	1	BELT CRADLE FRAME
2	6152	1	ALL PURPOSE COTTON NYLON BELT
	6153		RUBBER BELT
	6158		HEAVY DUTY PVC BELT
	6159-SRJ		SPARK RESISTANT BELT
3	2096	3	CLAMP-ADJUSTING ROD
4	40022-1	2	BELT CLAMP
5	6106	8	HEX HEAD SCREW
6	6092	8	HEX NUT, 5/16-18
7	6093	2	HEX NUT, 5/8-11
8	4081	1	CARRIER LOCK PIN ASSEMBLY

